

# Unity S1

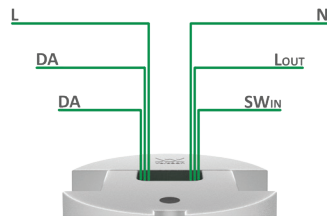
Engineered for seamless integration, the S1 redefines smart lighting control with DALI and relay outputs, offering unmatched versatility. Cover vast areas with a 13m PIR range and optimise user interactions with the intuitive switch input. Weather any storm with IP65 protection, ideal for both indoor and outdoor use. Whether standalone or part of a Casambi mesh network, the Unity S1 delivers a smarter, connected lighting experience.



## Features

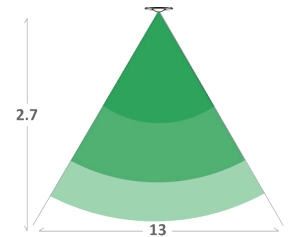
### Control

Versatile and precise, the S1 delivers advanced control options for any lighting requirement. Featuring a DALI 100mA output and a robust 10A Relay Output with 250A inrush, it ensures seamless integration with both digital and traditional systems. Added switch input allows for manual adjustments, putting intuitive control at your fingertips.



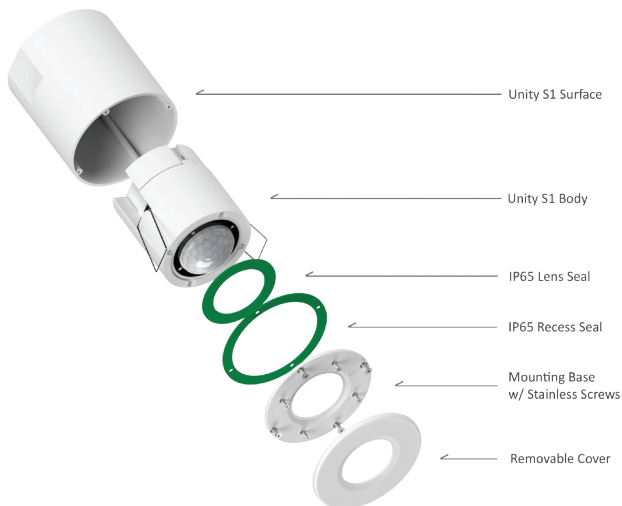
### Range

Designed to perform, the S1s PIR sensor offers a substantial 13-metre detection range at a mounting height of 2.7 metres. This ensures reliable motion detection across expansive areas, from small rooms to large open spaces.



### Versatility

Equipped for any setting, the S1 boasts an IP65 rating, making it a champion against dust and water. Its versatility ensures top performance indoors and outdoors, adapting effortlessly to varying environmental conditions.



### Surface

Install it your way – S1s surface-mounting accessory allows for flexible installation with 20mm exclusion areas for conduit through-wiring. It maintains IP65 protection, combining durability with ease of integration.



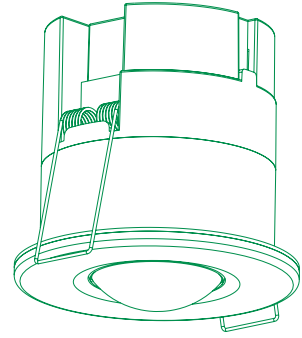
### Cover

Maintenance made simple: the S1s cover clips easily onto the sensor and is paintable, facilitating smooth integration with your architectural designs. Quick access for maintenance combined with aesthetic adaptability enhances both functionality and style.





# Unity S1



## Specifications

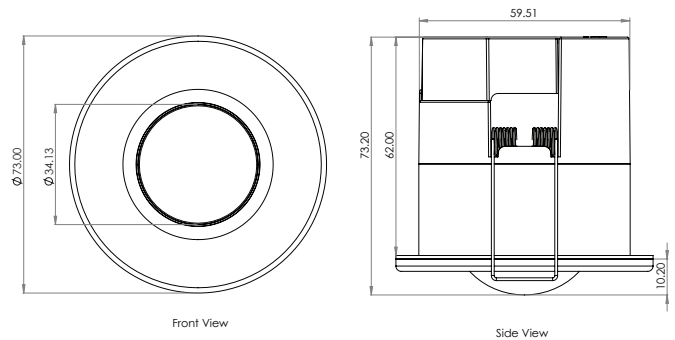
### Order Codes

Product SKU	Description
VS-S1-LBW	S1 Sensor - White
VS-S1-SMW	S1 Surface Kit - White

### Technical Specification

<b>Control</b>	Casambi
<b>Supply</b>	220-240VAC 50/60Hz
<b>Output</b>	DALI 100mA/16.5VDC
<b>Max DALI Load</b>	Up to 50 Drivers
<b>Output</b>	Relay 10A Capacitive Relay 10A Inductive Relay 10A Resistive
<b>Maximum Inrush</b>	250A/1ms, 140A/10ms
<b>Input</b>	1x Momentary Switch Input
<b>Lens</b>	Fresnel
<b>Sensor</b>	PIR, Ambient Light
<b>Light Detection Range</b>	1-999 Lux
<b>Operating Temperature</b>	-10 to 55°C
<b>Wiring</b>	Loop in/loop out (No Earth)
<b>Terminal Capacity</b>	2.5mm <sup>2</sup>
<b>Material</b>	Flame Retardant ABS+PC
<b>Ingress Protection</b>	IP65 - Recessed (Front Only) or Surface Mounted (All)
<b>Cutout</b>	62-66mm
<b>Transceiver Frequency</b>	2.4GHz ISM Band
<b>Warranty</b>	5 Years

### Dimensions - VS-S1-LBW



### Dimensions - VS-S1-SMW (with S1 installed)

